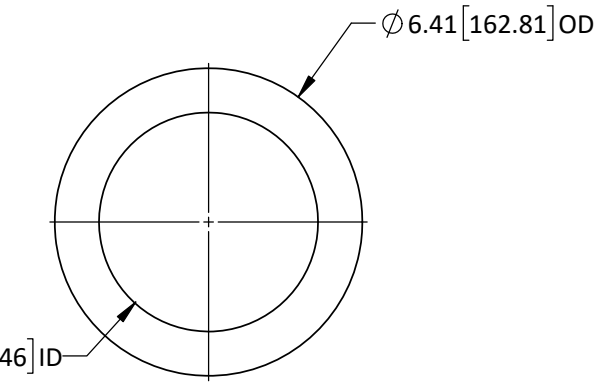
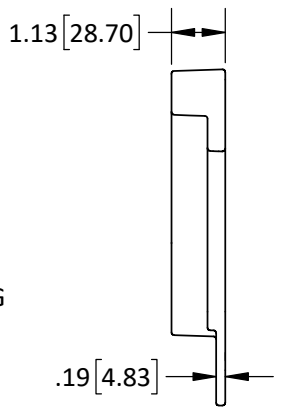
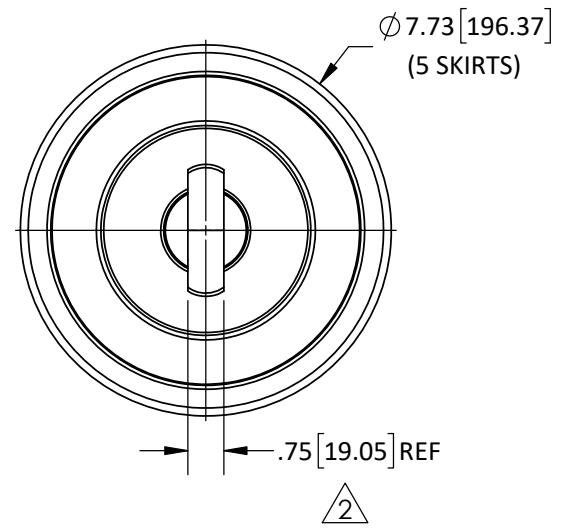
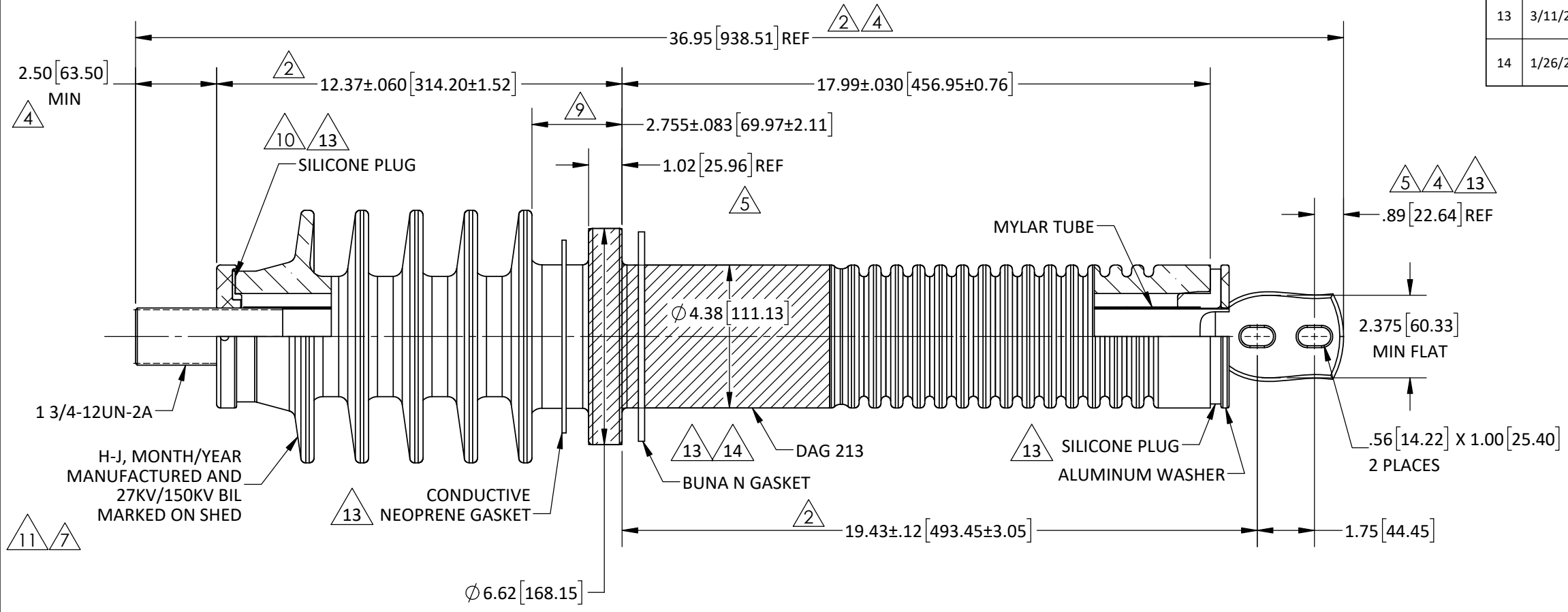


ROOF MOUNTING CLAMP
 REQ'D: 2 PER ASSY
 MAT'L: ALUMINUM $\triangle 8$



BUSHING TO ROOF GASKET $\triangle 2$
 REQ'D: 1 PER ASSY
 MAT'L: .19" \pm .020" NITRILE BUNA N

REVISIONS					
REV.	DATE	ECN #	DESCRIPTION	BY	APP'D
1	11/1/01		CHG'D PART # FROM ASXXXX-028	CJT	LHE
2	12/20/01		REV DIM'S AND TOLS	CJT	JFS
3	3/01/02	HJ02-002	CHG'D MIN CREEPAGE, WAS 27.25-TO-18.00	CJT	JFS
4	1/31/03	HJ03-003	CHG'D DIM, WAS 36.92-TO-36.95. ADDED DIMS	CJT	SP
5	2/19/03	HJ03-012	ADDED "REF". ADDED DIM	CJT	SP
6	10/23/03	HJ03-112	ADDED NOTE 6	CJT	SP
7	5/11/04	HJ04-088	ADDED NOTES 7 & 8. ADDED SHED MARKING. ADDED CERT NOTE. REV DESC	JRM	SP
8	3/26/07	HJ07-035	REMOVED TENZALLOY	PWD	JM
9	12/12/13	HJ13-309	ADDED DIMENSION	CLS	BLB
10	4/23/2015	HJ15-077	ADDED GASKET. SW REDRAW	TJF	BLB
11	2/29/2016	HJ16-028	REM LABEL NOTE. EDITED NOTE	TJF	BLB
12	4/17/2017	HJ17-093	CHG'D CERT #, WAS NRF-008-CFE-2000 -TO- CFE 53100-84	TJF	BLB
13	3/11/2022	PQI I0033090	CHANGED OUT STUD AND ALL GASKETS, ADDED NEOPRENE GASKET, SLOTS WERE ϕ .56 HOLES	MAD	CJT
14	1/26/2023	HJ23-004	GASKET WAS FLANGED PLUG	MAD	CJT



- PORCELAIN NOTES:**
1. WET PROCESS ELECTRICAL PORCELAIN
 2. GRAY GLAZE MUNSELL 5BG 7.0/0.4
 3. TOLERANCE \pm 3% WITH NOTHING LESS THAN \pm .03, UNLESS OTHERWISE NOTED ON DRAWING
 4. 60HZ WITHSTAND: 60KV DRY
50KV WET
 5. CREEPAGE: > 26.52" TOP
> 17.54" BOTTOM
 6. TOP & BOTTOM TERMINALS ARE TIN PLATED
 7. APPROVED FOR COASTAL AND HIGH CONTAMINATION ENVIRONMENTS.
 8. FOR AIR-TO-AIR APPLICATION.

CERTIFIED BY CFE/LAPEM (CFE BE1C1702000)
 BASED ON MEXICAN STANDARD CFE 53100-84

PROPRIETARY AND CONFIDENTIAL
 THE INFORMATION CONTAINED IN THIS DRAWING IS THE SOLE PROPERTY OF H-J ENTERPRISES, INC. ANY REPRODUCTION IN PART OR AS A WHOLE WITHOUT THE WRITTEN PERMISSION OF H-J ENTERPRISES, INC. IS PROHIBITED.
 REMOVE ALL BURRS & SHARP EDGES

TOLERANCES (EXCEPT AS NOTED) DIMENSIONS ARE SHOWN IN: in/mm	
DECIMAL	\pm .032/.8mm
FRACTIONAL	\pm
ANGULAR	\pm 2°



H-J ENTERPRISES, INC.
 3010 HIGH RIDGE BLVD. HIGH RIDGE, MO. 63049 USA
 PHONE 1-636-677-3421 FAX 1-636-376-1915

27KV/150KV BIL/2000A
PORCELAIN BUSHING ASSY

MATERIAL: SEE DRAWING

CHK'D: CJT APP'D: 12/12/13 DRAWING NO.: AS1426-001 $\triangle 1$

SCALE: N.T.S.

DRAWN BY: CJT DATE: 8/06/01